

Challenge

The weather directly impacts city life. Long warm spells create heat islands, and in winter the risk of accidents increases. The city authorities must find ways to inform, warn, and guide its citizens to mitigate these effects.

Solution

A representative measurement network collects weather and traffic data and feeds it into a local smart city portal. Citizens can access it free of charge, obtain information and assess and counteract possible risks.

Benefits

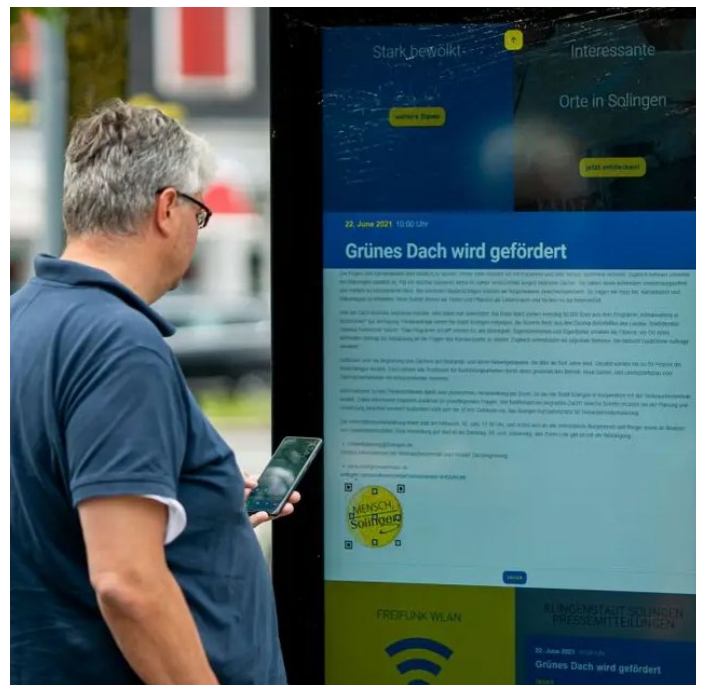
The city can take selective measures in good time, such as cooling in summer and selective gritting in winter or planning and changing construction. Important information and warnings reach residents quickly and easily.

Project

The "City of Blades" Solingen is very extensive in terms of area and topographically diverse. Especially in summer, temperatures in the city area can fluctuate significantly.

A reliable database allows the city authorities and its technical service department to take effective countermeasures, for example by cooling the streets, planting areas or start selective gritting operations in winter.

The data for this is provided by the NIRS road sensor and the Lufft WS800 weather station. The latter records a comprehensive range of atmospheric parameters such as solar radiation, air temperature and humidity, lightning, precipitation, etc. in one housing. The compact design allows for easy installation and maintenance.

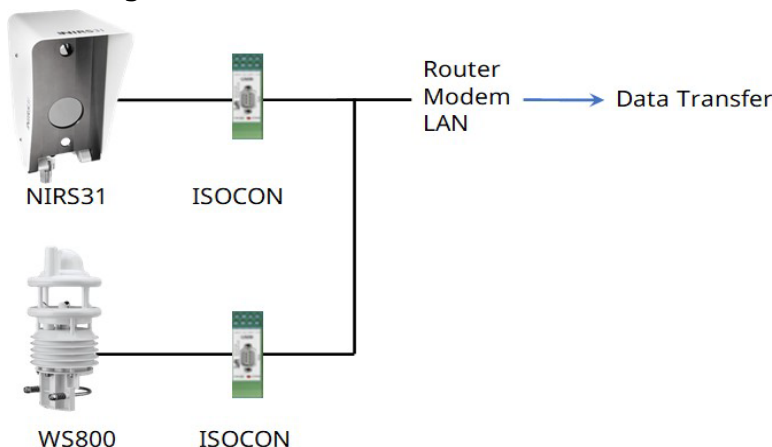


Six digital pillars in the city area provide citizens with up-to-date information. *Photo: City of Solingen*

Product list

WS800, WS700, NIRS31 ISOCON, power supply 24 VDC

Schematic diagram




Lufft
— an OTT HydroMet brand —

Further information
[Blog: Cities become smart through data](#)

Contact
[Questions? Let's talk!](#)

